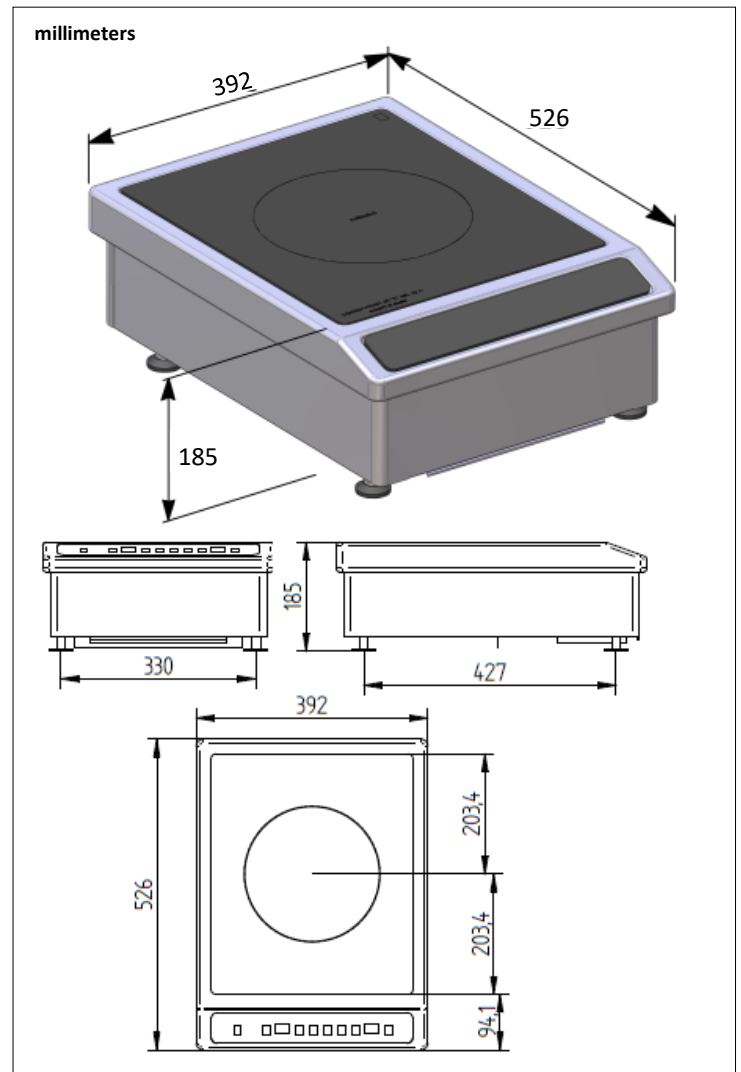


TECHNICAL FEATURES

External structure	AISI 304 stainless steel
Dimensions	526 x 392 x 180
Power	6000W
Cooking surface	Vitroc ceramic glass.
Control panel	Capacitive touches control panel
Amp	10 A.
Functions	On/Off, manual power setting (+/-) with 2 digits display 3 presets 99 minutes timer control with 2 digits display
Power supply	380-400V; 440V; AC 50 - 60 Hz
Weight	13.3 kg / 29.3 lbs.
Standards	Complies with European standards for safety of electrical appliances.
Details & Options	Including a 1m80 (5 ft 10 inches) power cord and a filter (wash regularly).



ADVENTYS
Route de Pagny - 21250 Seurre - France
www.adventys.com
sales@adventys.com
T: +33 3 80 20 46 15

Important note

Adventys reserves the right to modify specifications without notice.

